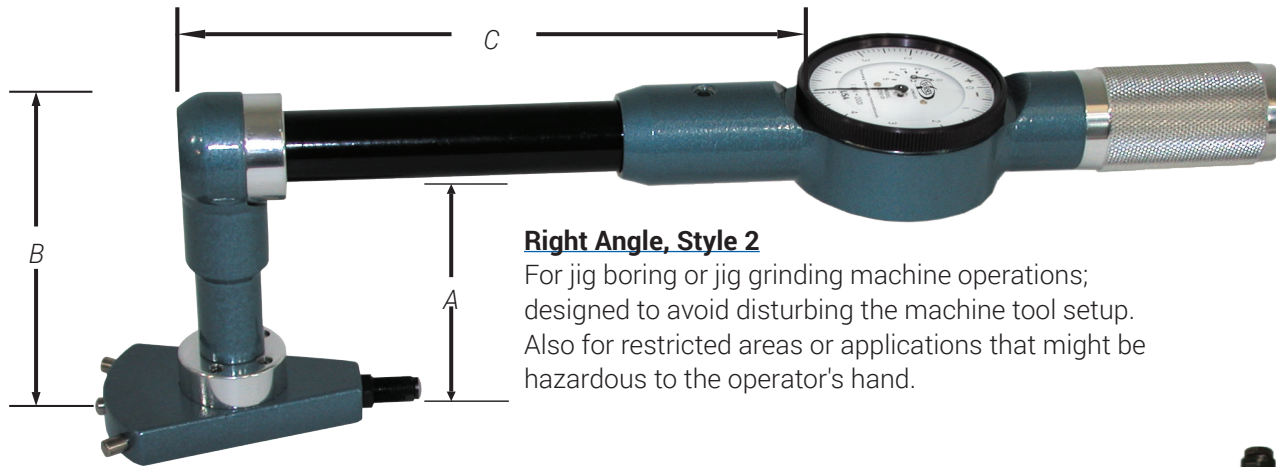
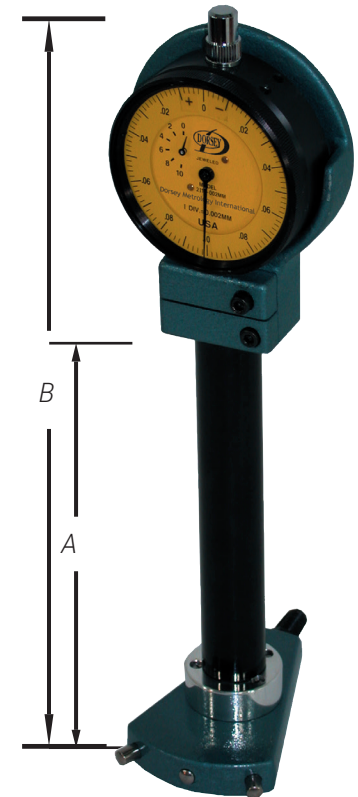


There are 5 optional styles that are designed especially for applications where space restrictions or gaging positions are not suitable for the use of the Style 1.



### **Right Angle, Style 2**

For jig boring or jig grinding machine operations; designed to avoid disturbing the machine tool setup. Also for restricted areas or applications that might be hazardous to the operator's hand.

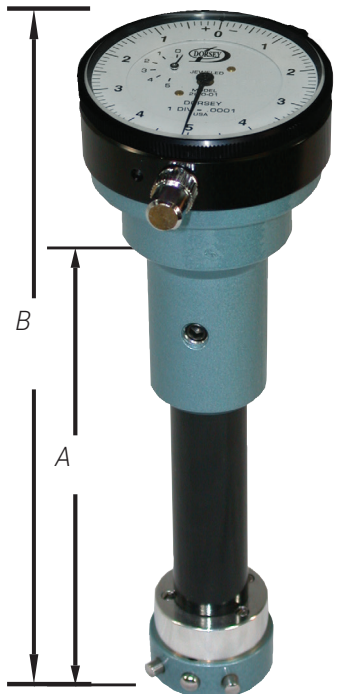


### **Vertical, Style 3**

For vertical axis bores at eye level; best choice for bench inspection applications.

### **Perpendicular, Style 4**

For vertical axis bores below eye level.



### **Pistol Grip, Style 5**

For limited access applications.



### **Flush Mount, Style 7**

For limited access applications.