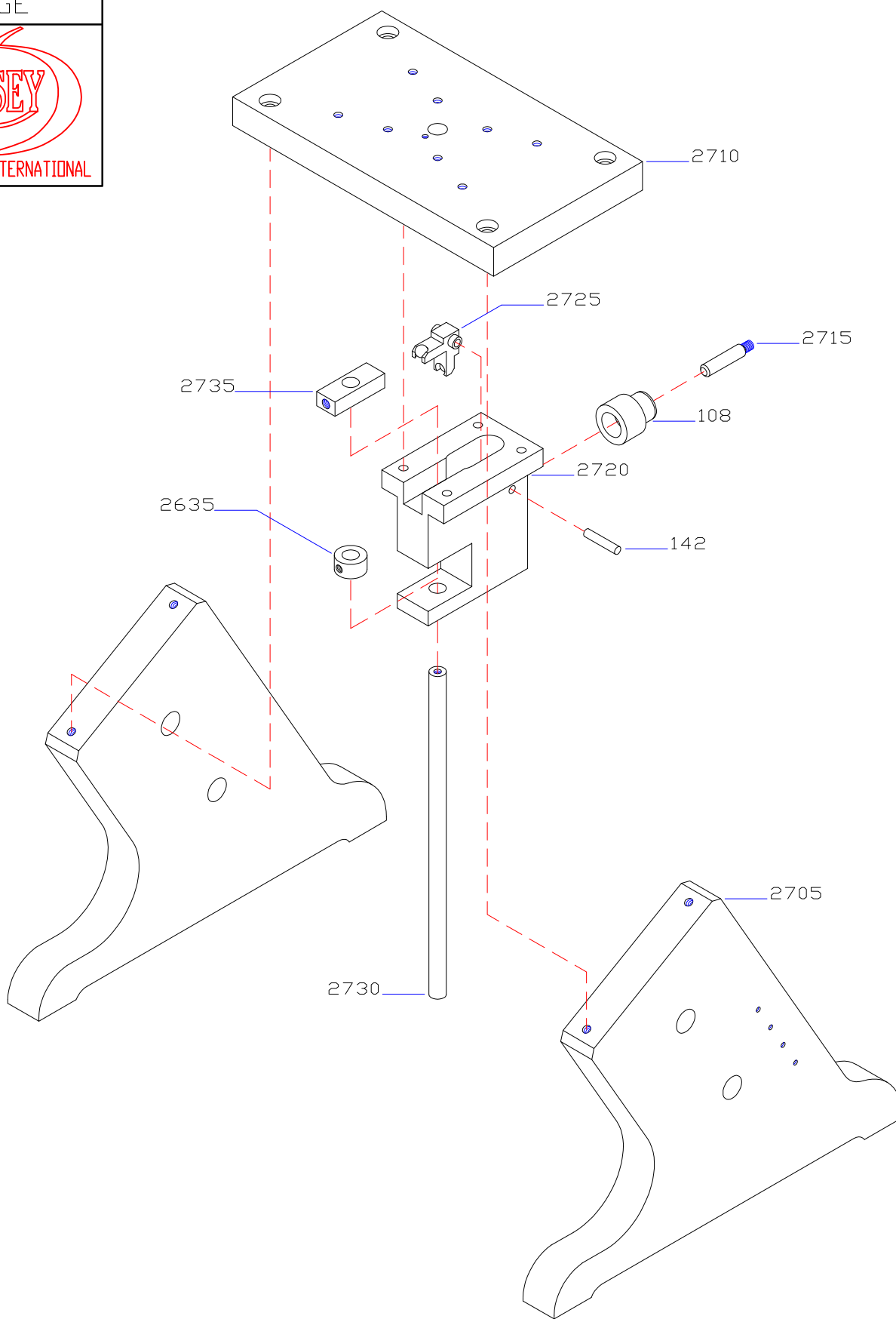
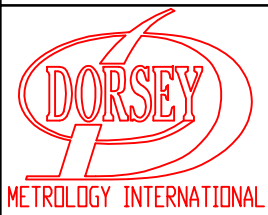


BENCH
GAGE



REV: 7-10-08
FILE: BENCH GAGE ASSY.dwg