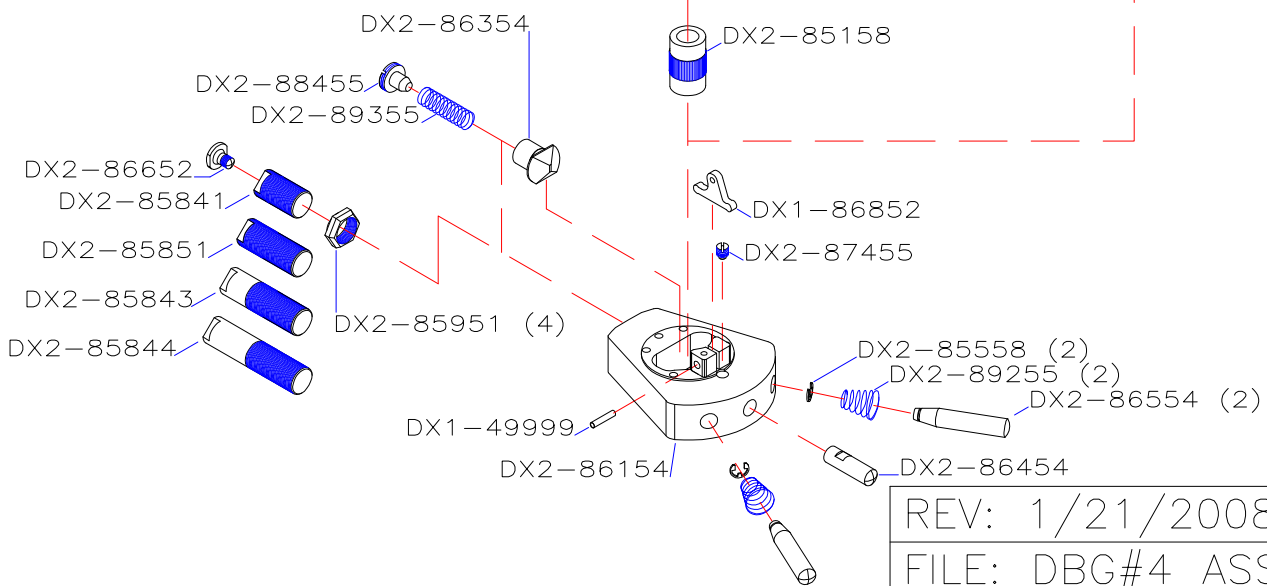
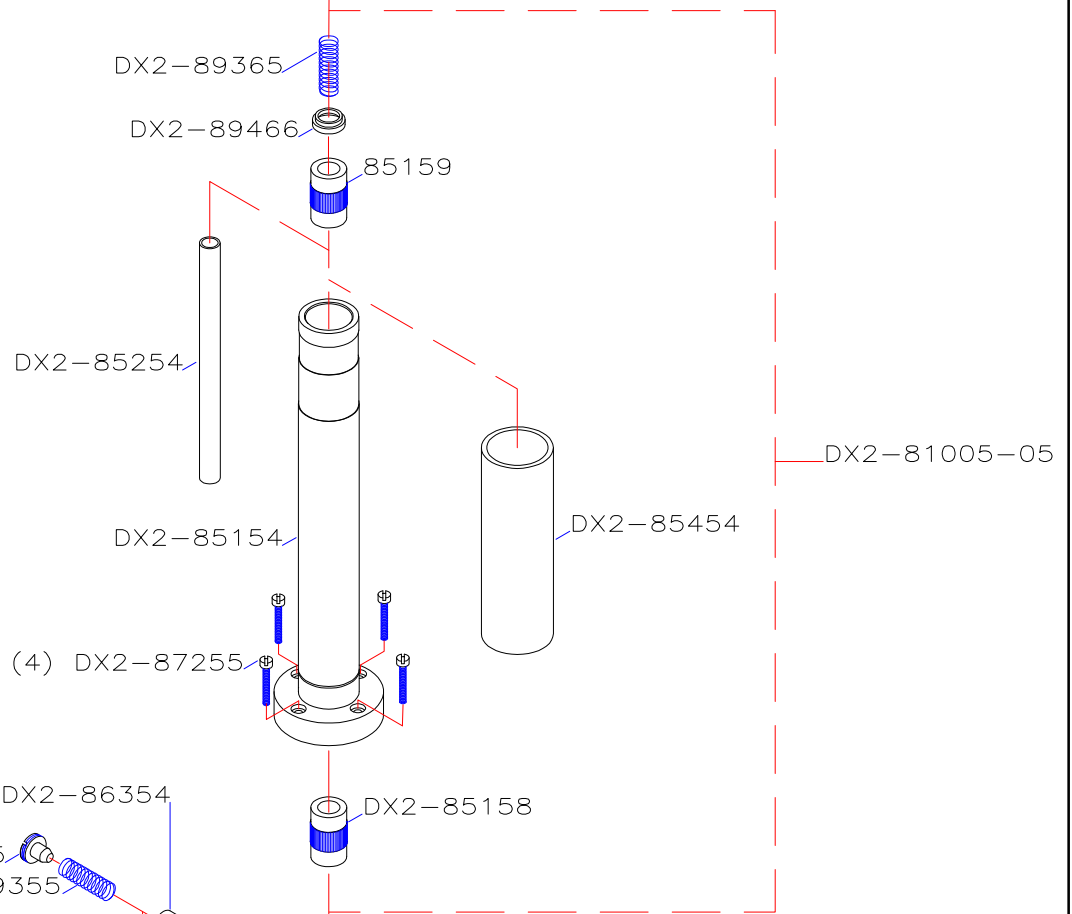
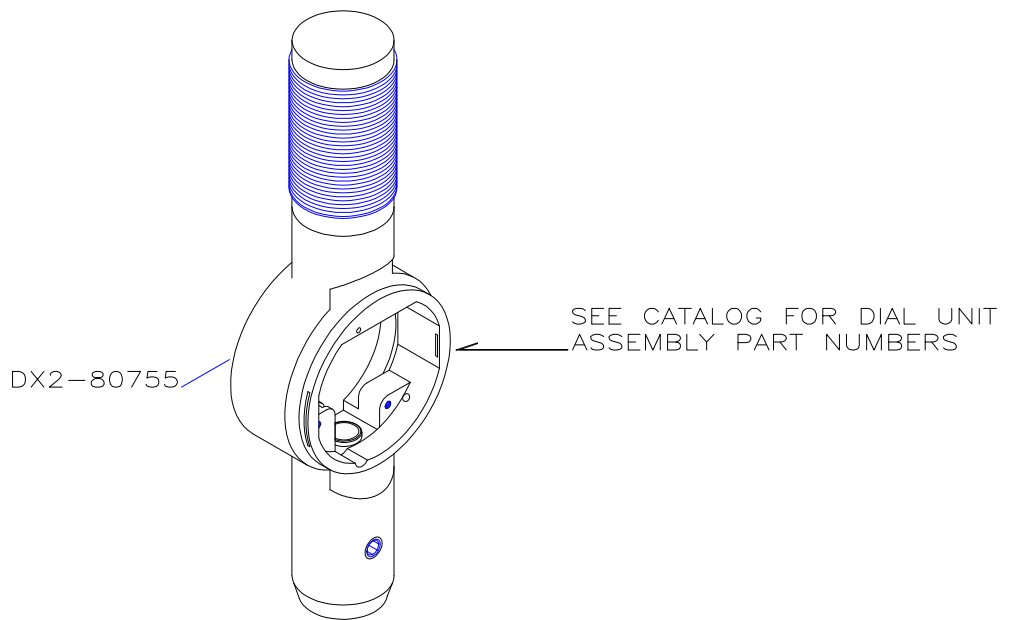
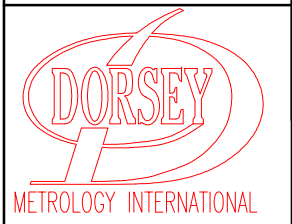


D-STANDARD  
BORE GAGE #4



REV: 1/21/2008  
FILE: DBG#4 ASSY.dwg