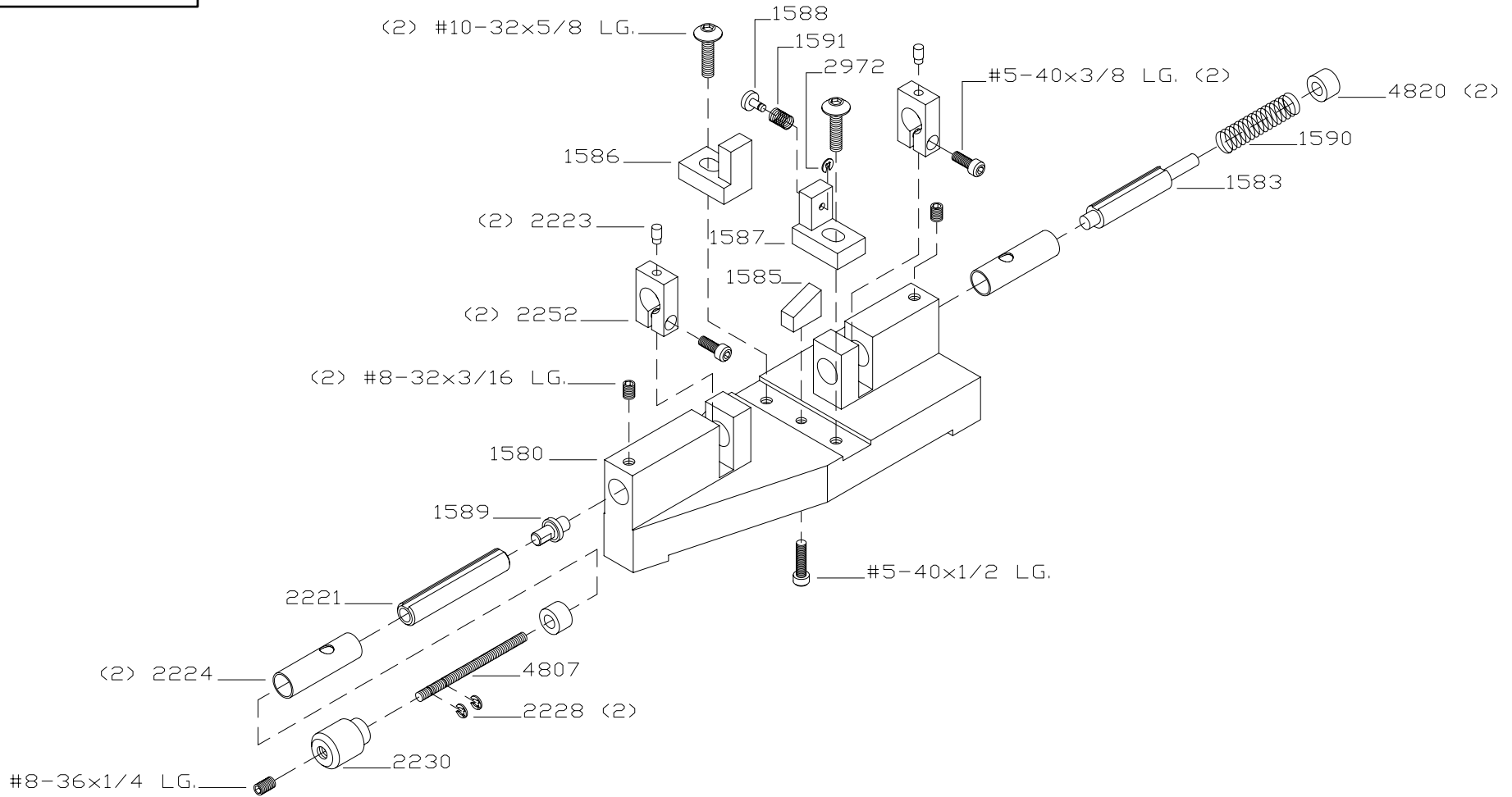
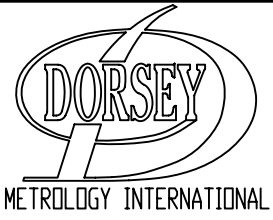


DBM-250



REV: 5-30-08  
FILE:DBM-250 ASSY.dwg